

WindObserver™ 65

Ultrasonic Anemometer



Key Features

- Precision Ultrasonic Anemometer
- 0-65m/s Wind Speed
- 0-359° Wind Direction
- Free Data Logging Software
- Optional De-Icing System
- Stainless Steel Construction
- Sonic Temperature Output

The Gill WindObserver 65 is a precision, solid-state ultrasonic anemometer providing wind speed and direction data via 1 digital and 3 optional analogue outputs and features an IP66 rated stainless steel housing, which is particularly suitable for use in salt-water environments.

This anemometer has an optional de-icing system enabling the sensor to operate effectively in environmental conditions experienced at high altitude or at sea and is recommended for use in aviation, marine and offshore applications.



Wind Speed

| | |
|--------------------|-----------------------|
| Range | 0 - 65 m/s (0-145mph) |
| Starting threshold | 0.01 m/s |
| Accuracy | ±2% @12 m/s |
| Resolution | 0.01 m/s |
| Offset | ±0.01 m/s |

Wind Direction

| | |
|---------------------|-------------|
| Range | 0 - 359° |
| Dead band direction | None |
| Accuracy | ±2° @12 m/s |
| Resolution | 1° |

Sonis Temperature

| | |
|-------|----------------|
| Range | -40°C to +70°C |
|-------|----------------|

Measurement

| | |
|------------------------|---------------------------------|
| Ultrasonic output rate | 1Hz, 2Hz, 4Hz, 5Hz, 8Hz or 10Hz |
| Parameters | UV, Polar, NMEA, Tunnel |
| Units | m/s, knots, mph, kph, ft/min |
| Averaging | Flexible 1 - 3600s |

Digital Ouput

| | |
|-------------------|--------------------------------------|
| Communication | RS422/RS485 full duplex/half duplex |
| Baud rates | 1200, 2400, 4800, 9600, 19200, 38400 |
| Formats | 8 bit data; odd, even or no parity |
| Anemometer status | Supplied as part of standard message |

Power Requirement

| | |
|--------------------|-------------------------|
| Anemometer only | 9-30 VDC (40mA @12 VDC) |
| Heating (optional) | 3A @24 VAC or DC |

Analogue Output - Optional

| | |
|---------------------|--|
| Quantity | 3 (Speed, direction, status or sonic temp) |
| Scale | Multiples of ±10 m/s up to ±70 m/s |
| Type | ±2.5V, 0-5V or 4-20mA |
| V output resistance | 60 Ohms |
| 4-20mA loading | 10-300 Ohms |

Mechanical

| | |
|-----------------------|---------------------------|
| External Construction | Stainless steel 316 |
| Size | Refer to diagram overleaf |
| Weight | 1.4kg |

Environmental

| | |
|-----------------------|--|
| Protection Class | IP66 (NEMA4X) |
| Humidity | 0% to 100% RH |
| Operating Temperature | -55°C to +70°C (Heated option) |
| Precipitation | 300mm/hr |
| EMC | EN 61000-6-2: 2001, EN 61000-6-3: 2001 |
| Icing | MILSTD810F Method 521.2 Procedure I |

Approvals

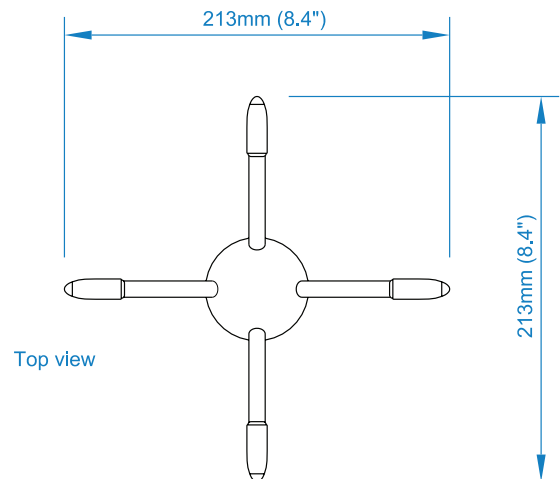
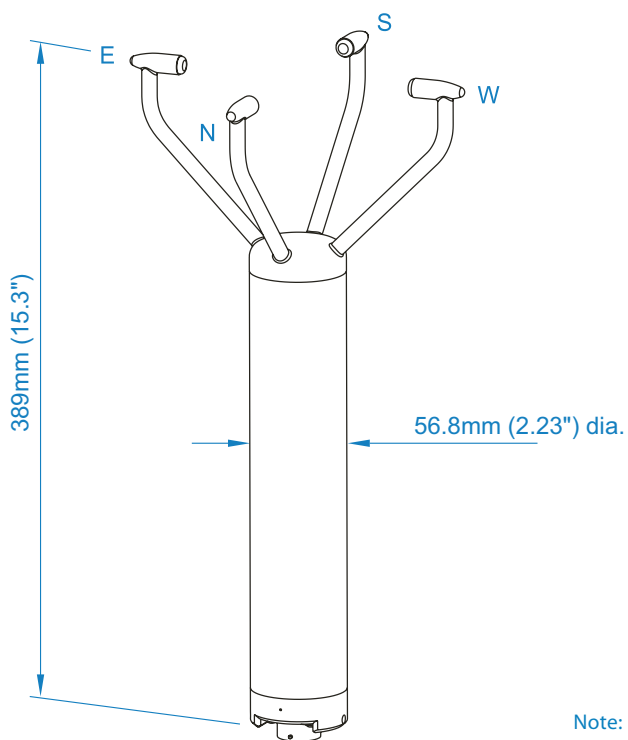
| | |
|------------------|--|
| Standards | Traceable to NAMAS standards |
| Site Calibration | None required. Integrity check unit (Zero wind) supplied as optional extra |

Accessories

| | |
|-------------------|---|
| Pipe Mount | Contact Gill |
| WindView Software | Display/logging software |
| WindCom Software | Configuration, display & logging software |

Typical Applications

- Building Controls/Structural Safety
- High Altitude Mountainous Regions
- Marine Vessel Dynamic Positioning Systems
- Wind Turbine Control
- Road & Rail Tunnels/Transport Safety
- Ports & Harbours
- Aircraft Landing Systems



Note: Optional base mounts and cable exit options are available.

Specifications may be subject to change without prior notice.



Gill Instruments Ltd

Saltmarsh Park • 67 Gosport Street • Lymington • Hampshire • UK • SO41 9EG
Tel: +44 (0) 1590 613 500 • Fax: +44 (0)1590 613 555 • Email: anem@gill.co.uk

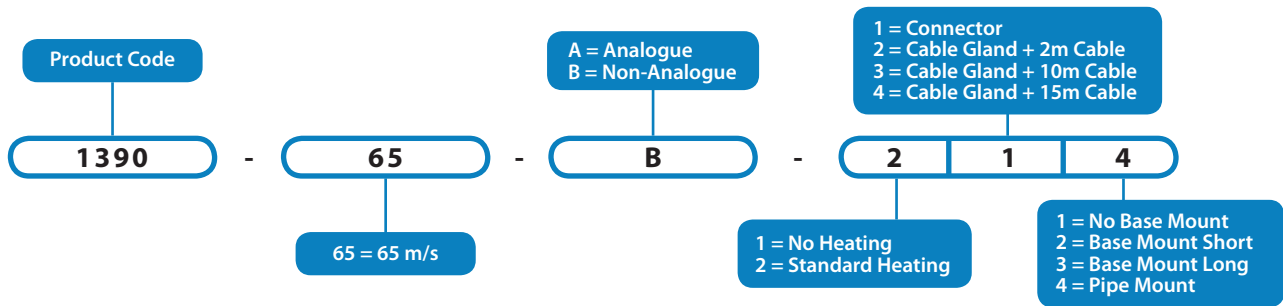
www.gill.co.uk

Copyright © Gill Instruments 2013
1390 - 0036 - Iss 3

Gill Instruments Ltd. Reg No. 2281574 Registered Office: The George Business Centre, Christchurch Road, New Milton, BH25 6QJ



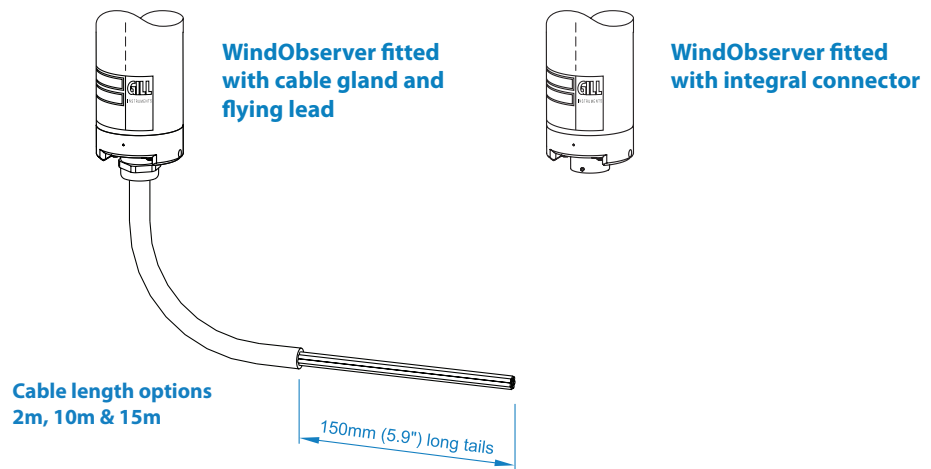
WindObserver Product Numbers Explained



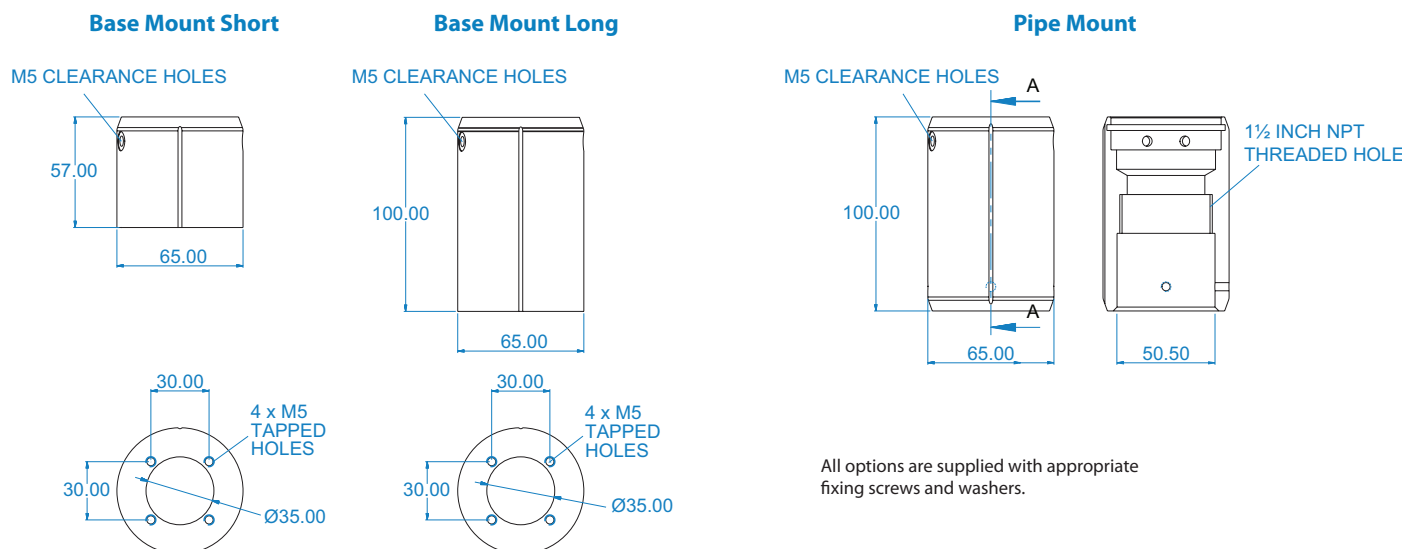
Product options may be model specific. Consult the Gill sales team for availability

Connection Options

Drawings below shown without base mounts



Base & Pipe Mount Options



Gill Instruments Ltd

Saltmarsh Park • 67 Gosport Street • Lymington • Hampshire • UK • SO41 9EG
Tel: +44 (0) 1590 613 500 • Fax: +44 (0) 1590 613 555 • Email: met@gill.co.uk

www.gill.co.uk

Copyright © Gill Instruments 2013
1390 - 0038 - Iss 2

