



## OMC-210 Rain Gauge

The Obsermet rain gauges are often used within water management applications as well as within her meteorological stations. The rain gauges are available with (OMC-212) and without a 24 Vdc heater set (OMC-210). The tipping bucket can be adjusted for 0.1 mm and 0.2 mm is gold plated to ensure all water is removed at every tip. The unit comes on a base plate which can easily be leveled. The OMC-045-II can be used as GPRS logger for these rain gauges and can be mounted underneath the funnel.

### Features:

- Surface 400 cm<sup>2</sup> according to W.M.O. recommendations
- Gold plated special shaped tipping bucket ensures that all water is emptied at each tip
- Tipping bucket available in 0.1 and 0.2 mm
- Heating option available
- Watertight Data Logging Module available for mounting into the Rain Gauge (see data sheet OMC-045)
- Easy installation: leveling with spirit level



*OMC-212 rain gauge with heating*

*Rain gauge on pumping station*

## GENERAL

The OMC-210 rain gauge is an instrument used to measure rainfall. It is designed and constructed to work under extreme conditions with high precision and reliability.

The instrument consists of a catchment funnel (inside diameter 22.57 cm, 400cm<sup>2</sup>) and is in accordance to W.M.O. recommendation.

The funnel is precision made to provide the correct area and is shaped to avoid any loss of raindrops. It funnels rainwater to a gold plated double bucket, which accumulates the water and which when full, tips over and empties.

When the bucket tips, a reed contact mounted beside the bucket is activated by a magnet and generates a signal.

The bucket tips only when a precise amount of water has been collected. Two-bucket sizes are available for this instrument, 0.1 or 0.2 mm. This relates to 4 or 8 cubic centimeters of rain respectively.

The water from the bucket passes through stainless steel pipes and leaves the instruments via outlets in the base plate. These outlets are screened with stainless steel mesh to prevent the ingress of leaves, debris or insects.

If required the rain gauge can be delivered with a film heater inside the housing. This rain gauge can be ordered under OMC-212.

A temperature-controlled switch controls the heater. This switch is activated at approximately 2 degrees Celsius

## DATA SUMMARY

### POWER REQUIREMENTS (OMC-212 ONLY)

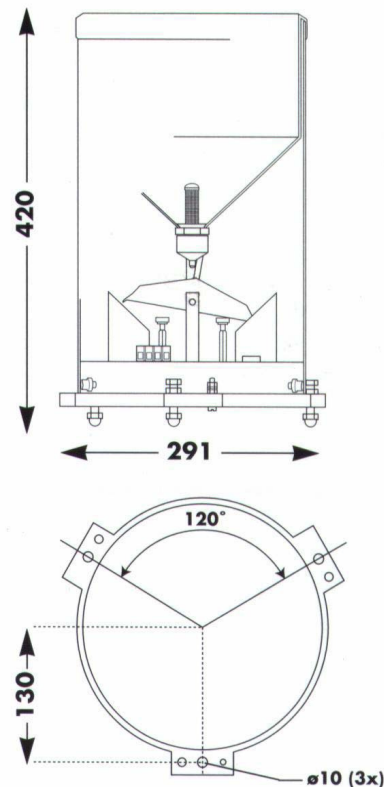
- Heater 24 Vac or DC; approx. 250 ma

### OUTPUT

- Signal output pulse width 30 ms typical

### DIMENSIONS

- Height 420 mm
- Weight 8.4 kg (incl. packing)



### ENVIRONMENTAL

- Temp. Range -10 to +60 dig. C.  
(Heater fitted)

### ACCURACY

- 2% (max. intensity of 250 mm/hour)
- Sensitivity precipitation per pulse 0.1, 0.2 mm

 **OBSERVATOR**  
instruments

Rietdekkerstraat 6  
2984 BM Ridderkerk

P.O. Box 60  
2980 AB Ridderkerk  
The Netherlands

Phone +31 (0)180 463 411  
Telefax +31 (0)180 463 530  
E-mail [info@observator.com](mailto:info@observator.com)  
[www.observator.com](http://www.observator.com)