

## Wireless Data Solutions Platform

### Key Features

- **BRIDGE** - Connects RS232/RS422/RS485 sensor outputs to WiFi 802.11 b or g compatible networks or Ethernet 10/100 Base-T networks
- **PROCESS** - Full PC with low power ARM processor
- **STORE** - 4 GB data storage on SD flash memory
- **STREAM** - Easy to use, web browser interface compatible with most devices
- **20 Hz intelligent sensor serial data input**
- **Plug & Play** - No programming knowledge required
- **Extremely cost effective**



MetStream is a product designed for use in meteorological, industrial and many other applications that allows users to connect an intelligent serial device to a network with unlimited scaling capability using modern communications protocols. Data can then be accessed practically anytime, anywhere using a web browser\*.

MetStream provides a Linux-based computer in a compact housing with only 3 W of power consumption along with robust surge and EMC protection measures. Data from intelligent serial devices can be sampled at rates up to 20 Hz for long periods of time. All of the settings and features of MetStream are available via a web browser interface for maximum compatibility across devices.

MetStream offers a platform agnostic and convenient graphics user interface to configure, visualise and store data locally or over the internet.

\*Internet connection required.

### ELECTRICAL

Power requirements	9-30 VDC 3 Watts maximum at 12 VDC MetStream only (WiFi on) 7.2 Watts maximum at 12 VDC including external sensor(s)
Power over Ethernet	Built-in receiver (IEEE 802.3af-2003)
Measurement	20 Hz maximum data input rate

### EXTERNAL INTERFACES

Digital	RS232, RS422 or RS485 communications via plugable terminal strip
WiFi	802.11 b (11 Mb/s) or g (54 Mb/s) speeds to connect to a customer supplied computer, device or network
Ethernet	8P8C format, 10/100BASE-T speeds to connect to a customer supplied computer, device or network
LEDs	1 for power, 1 for status
Power	DC in (if not using PoE)

### OUTPUTS

Hardware Platform	Linux Operating System running on ARM processor
Timing	Real Time Clock onboard. PTP (Precision Time Protocol) & NTP (Network Time Protocol) supported over Ethernet.
Data Storage	4 GB storage, suitable for 1 week @ 20 Hz data rate or 1 month @ slower speeds.

### MECHANICAL

External Dimensions	125 x 111 x 34 mm (antenna folded) 205 x 111 x 107 mm (antenna extended)
Material	Aluminium / Plastic
Weight	280 grams

### ENVIRONMENTAL

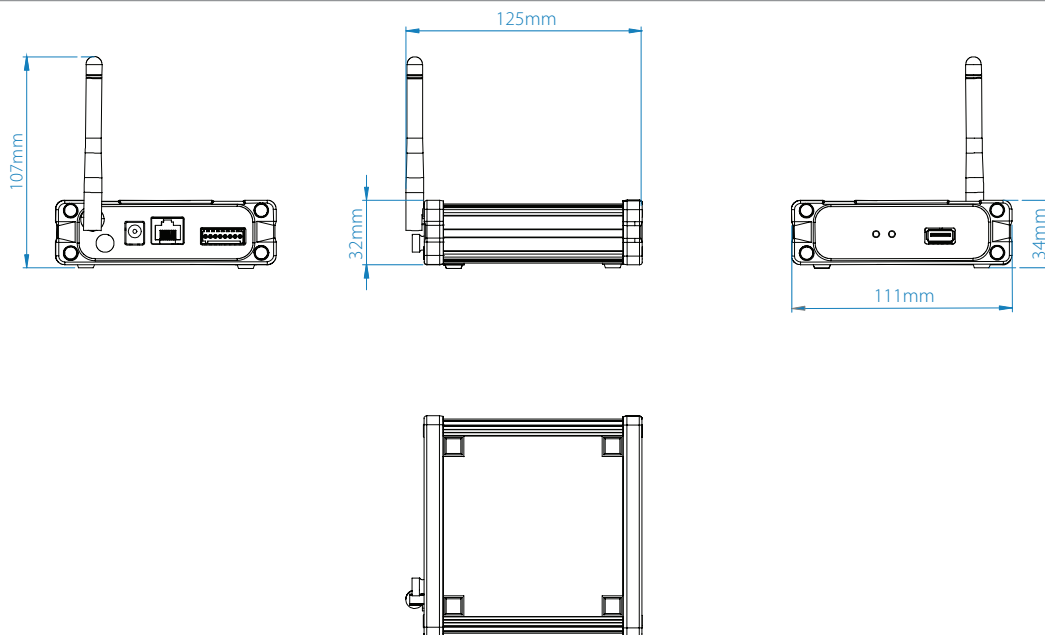
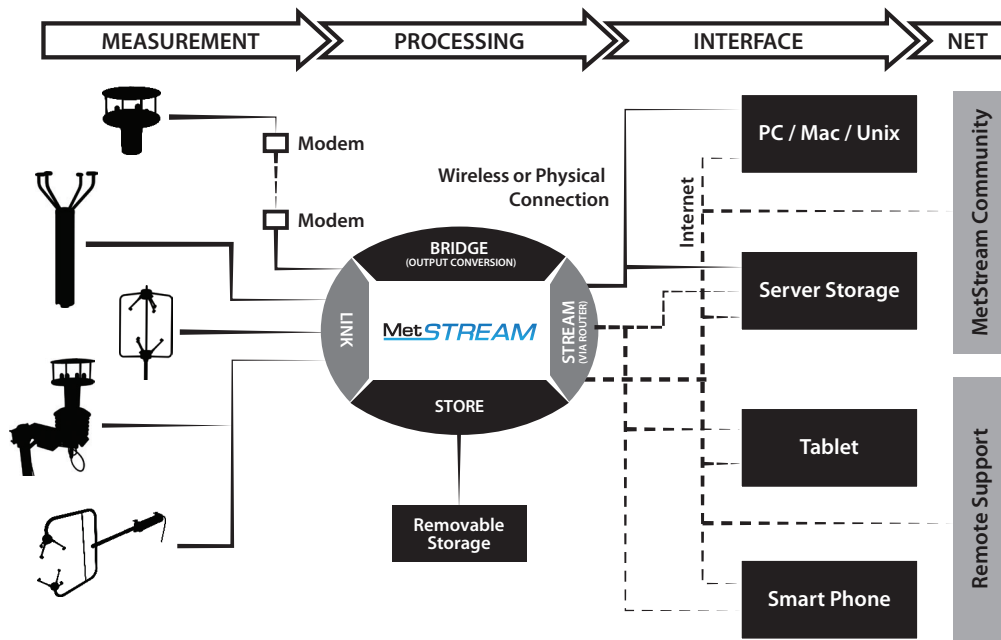
IP Rating	40 (indoor use), 65 (outdoor enclosure)
Operating Temperature	-20 to + 70° C
Storage Temperature	-40 to + 80° C
Operating Humidity	< 5% to 95% RH
EMC	BS EN 55024:2010 and 55022:2010
FCC	CFR47 Part 15B

### OPERATIONAL

Warranty	12 Months
Accessories	Quick start guide, CD, Ethernet Cables, Instrument connector, power adapter

### OPTIONAL

Thermoplastic enclosure for outdoor use of MetStream
--



All dimensions in mm  
 Drawing representative of MetStream 105

Specifications may be subject to change without prior notice.



**Gill Instruments Limited**

Saltmarsh Park, 67 Gosport Street  
 Lymington, Hampshire SO41 9EG  
 United Kingdom

Tel: +44 (0) 1590 613 500  
 Fax: +44 (0) 1590 613 501  
 met@gillinstruments.com



[www.gillinstruments.com](http://www.gillinstruments.com)

1955-004 Iss 1

Copyright © Gill Instruments 2014